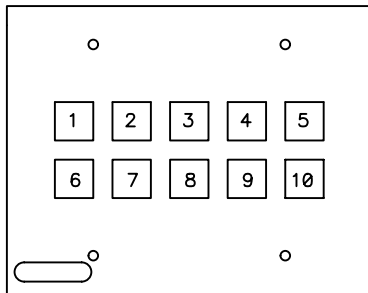
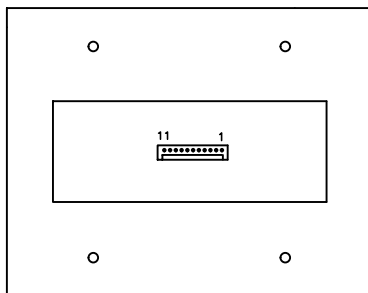


For detailed installation instructions refer to
Heritage MedCall
VNS Manual, Issue 2, January 2003

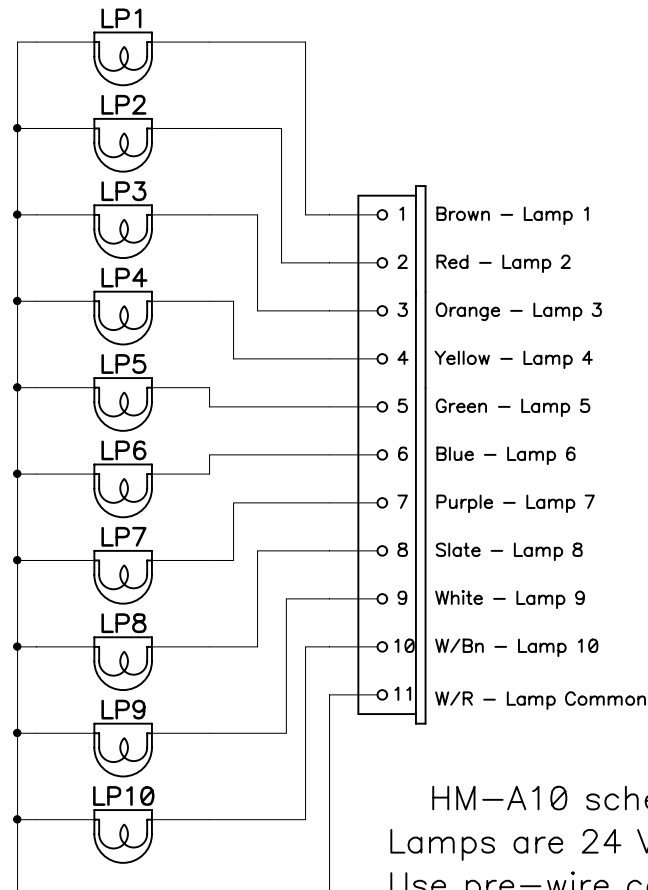


Front



Back

Unit must be mounted using
nylon hardware provided.
DO NOT overtighten the
nylon screws to avoid
stripping the threads.



HM-A10 schematic
Lamps are 24 VDC 40 mA. #28ESB
Use pre-wire connector HM-11P.

Heritage MedCall, Inc.
202 East Virginia Avenue
Tampa, FL 33603
813-221-1000 (voice)
813-223-1405 (fax)
www.heritagemedcall.com

Title		HM-A10 10 Lamp Annunciator Panel	
Size	Number	Rev	
A			
Date	January 2003	Drawn by	
Filename	A10.sch	Sheet of	