

Model HM-644A Voice Synthesizer

Installation and Service Instructions



SENTRY EMERGENCY CALL SYSTEMS

Technical Notes

Voice Synthesizer

Model HM-644A

Description

The Sentry Voice Synthesizer model HM-644A is an updated model from the previous version that now includes an unlimited voice vocabulary. Voice prompts are generated from any call event that is sent to the pager COMM Port. Can be used as a stand alone unit using the internal speaker or using the external speaker jack as provided on the rear. Using an additional PS2 style keyboard, messages can be hand typed and sent to voice synthesizer and sent to two way radios if attached. Will provide either a normally open or normally closed contact along with a low level audio output to connect to a radio transceiver for portable annunciation of call events. The voice synthesizer has built in watch-dog timer that will reset the unit to prevent two-way radio being locked in transmit.

Installation

Install the HM-644 voice synthesizer to the Sentry console using a null modem cable between the COMM Port and the RS232 port on the voice synthesizer. Power the unit using a wall transformer rated between 9 and 12 volts DC. Audio and contacts for a two way radio are provided through a mini 5 pin din jack located on the rear of the unit. See wiring diagram 847-251A for cable hookup.

Sentry Console Programming

Current Sentry software version 389 or above is required for proper operation. Standard baud rate for the voice synthesizer is 9600N8 and is set by the factory. To avoid a buffer overload of the voice synthesizer a DELAY=4 must be added to the .PAGER line. This will delay each event before sending message to the comm port. Refer to Sentry documentation 462-512, .PAGER section for detailed information of programming the Sentry table.

Spoken Vocabulary Notes

A period can not be used. Numbers over 9999 will be pronounced as separate digits. Numbers less than 10,000 will be pronounced numerically. Room numbers can be alphanumeric, if more than two letters, the letters must follow numbers to be spoken correctly. Some correctly spelled words may not be pronounced accurately and will need to be spelled phonetically.

Examples:

"AG123" will try to pronounce the AG and say one hundred twenty three.

"123AG" will say "one two three A G"

"B123" will say "B one hundred twenty three"

"1234" will say "twelve hundred thirty four"

"12345" will say "one two three four five"

"74-123" will say "seven four" pause "one two three"

A PS2 keyboard can be plugged into the voice synthesizer and test any phrases by typing in text and pressing the enter key.



SENTRY EMERGENCY CALL SYSTEMS

Technical Notes

Voice Synthesizer

Model HM-644A

Options

The Sentry software version 389 offers you new options for the .PAGER command.

CLEARs added to the .PAGER line will send a "CANCELLED" and the call message to the pager port when a call event is cancelled.

RESEND=# added the .PAGER line will resend a call event to the pager port if call is not cancelled in the # of minutes specified by the RESEND option. Setting is 1 to 60 minutes rounded up to the next minute.

Programming Voice Synthesizer

The Sentry voice synthesizer comes pre-configured from the factory.

Default settings from Heritage:

Baud rate of 9600

Repeat =2

Delay between repeat of 3 seconds

To change firmware settings a terminal program is required and may be obtained through Heritage MedCall. A DOS freeware program called Intra M Terminal can be used. The command to start the program is imtd /c=1 /b=9600 .

Command **MUST** be in capital letters and only on a single line followed by its option..

BTS Speed change 0,1,2 (0=9600, 1=19200 2=115.2k) Heritage Setting 9600

BTR Auto Repeat Setting Format N:I (N=Number of repeats -1 : I=Interval in seconds. Heritage Setting 1:3

BTW Writes current configuration to non-volatile memory of voice synthesizer.

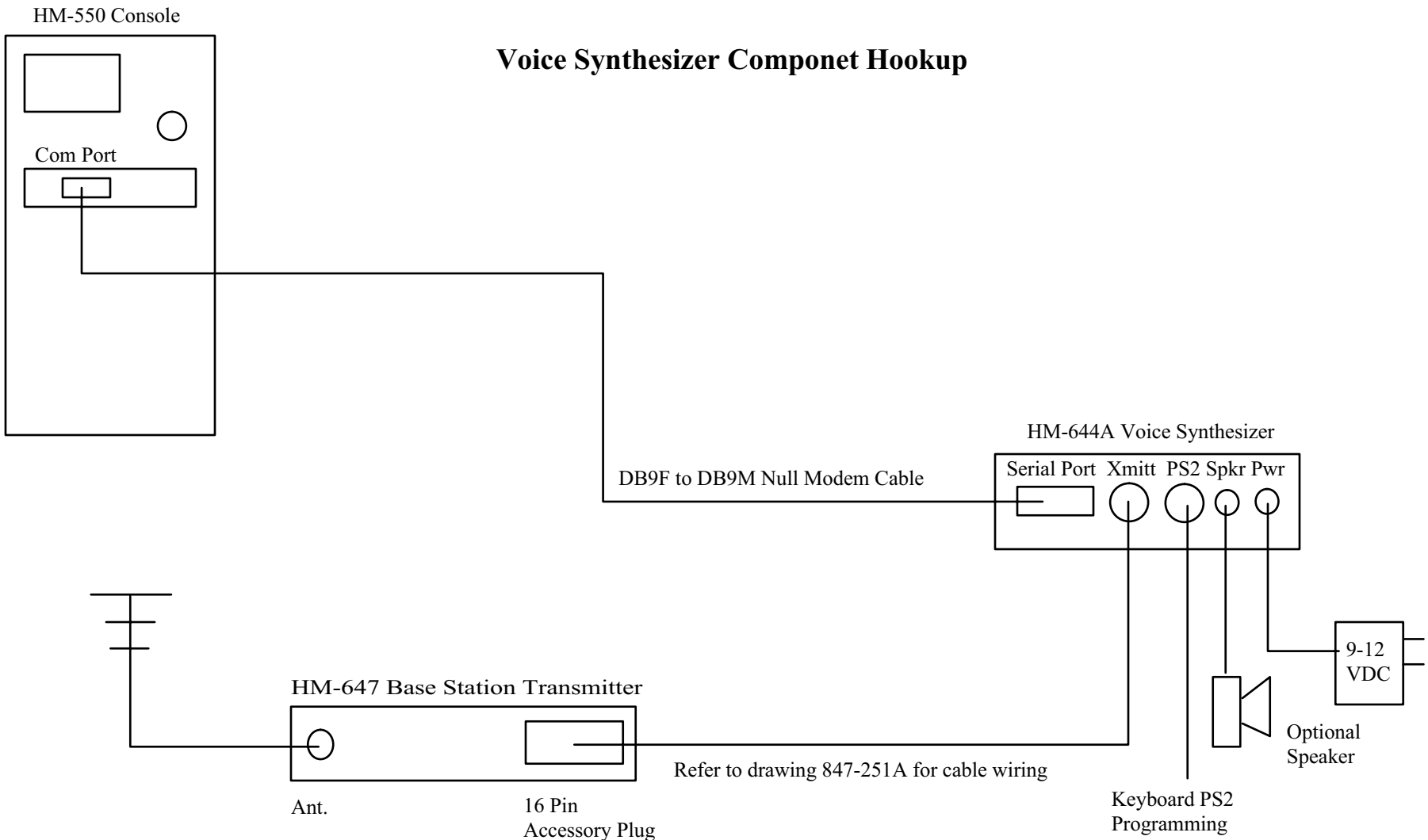
Refer to Documents for further information

847-644A Component Hookup Diagram

847-251A Transceiver Cable Wiring

462-512 .PAGER line command programming

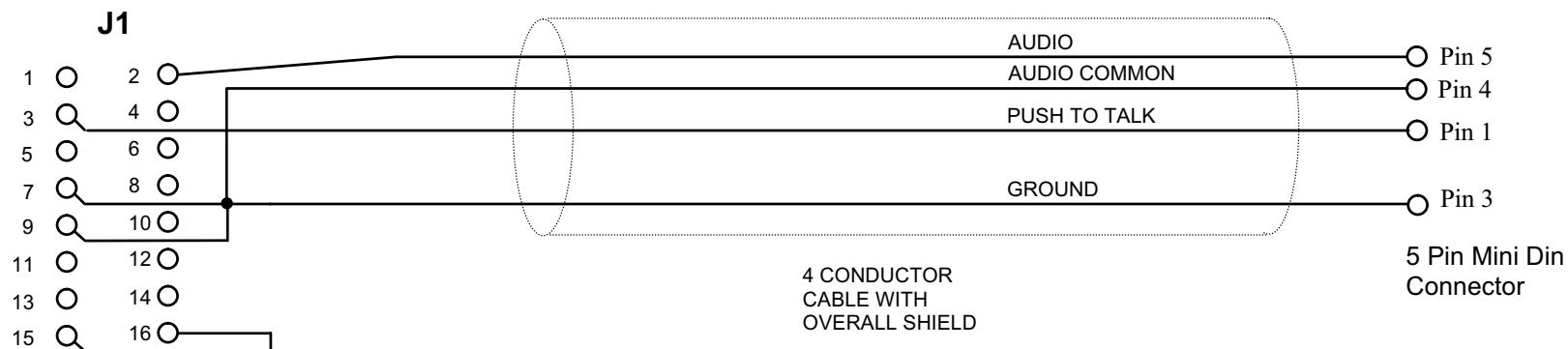
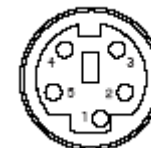
Voice Synthesizer Component Hookup



SENTRY MANUFACTURING COMPANY		
DATE	08-19-2004	DRAWN BY jrp
TITLE	VOICE SYNTHESIZER HOOKUP	
DWG NO	847-644A	

Cable between Motorola Radio and Voice Synthesizer Model HM-644A

10' OVERALL



16 CONDUCTOR
.1" SPACING
DUAL ROW
.025" SQ PINS
NO POLARITY

15	13	11	9	7	5	3	1
16							2

Rear View

SENTRY MANUFACTURING COMPANY		
SCALE N/A	DATE 08-19-2004	DRAWN BY jrp
TITLE SYNTHESIZER CABLE ASSEMBLY		
		DWG NO 847-251A