

**Installation Notes:**

Apply power to HM-W541RCx  
 Log on to the Sentry computer using an administrator username.  
 Choose "Transmitters" option then select "New" then "Enroll".  
 On the backside of the HM-W541RCx press the reset switch (SW2) for one second.  
 Serial number and type will be automatically filled in.  
 Edit Announcement if required and press "Save".  
 Press "Room" and select location from list and press "Apply" and then "Save".  
 Press "Resident" and select name and "Apply" and "Save".  
*Refer to Sentry Freedom manual for full programming instructions.*  
**Note:** When re-applying power, press reset button.

**LED Operation:**

HM-W541RCx

Active:	3 groups of 7 flashes each
Off:	1 group of 9 flashes each
Reset:	1 group of 10 flashes each
Check-in:	1 group of 3 flashes each

LED on (steady) for any active inputs

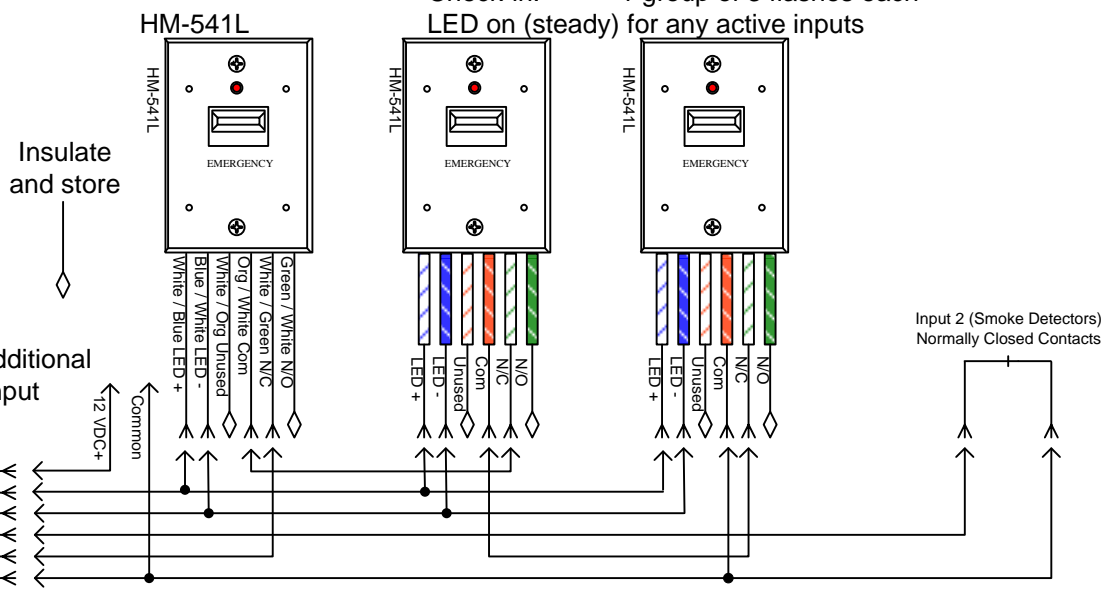
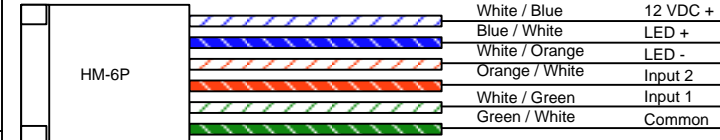
**Single HM-W541RCx with No Optional Devices**

Note: If any of the external devices are not used, input 1 (IN1) and (or) input 2 (IN2) must be tied to common or call will be placed.



**Optional Devices:**

Using the supplied HM-6P connector provides hook-up for additional wired remote call stations to input 1 (IN1) and a secondary input device (IN2) using a normally closed contact.



**Specifications:**

Current Draw:	50 mA during transmit
Power:	8 – 24 VDC input
Interconnect cable:	2 – 4 pair 24 AWG CAT3
Power Cable:	18 AWG recommended installation dependant
HM-W541RCS	3 minute check-in
HM-W541RCL	60 minute check-in



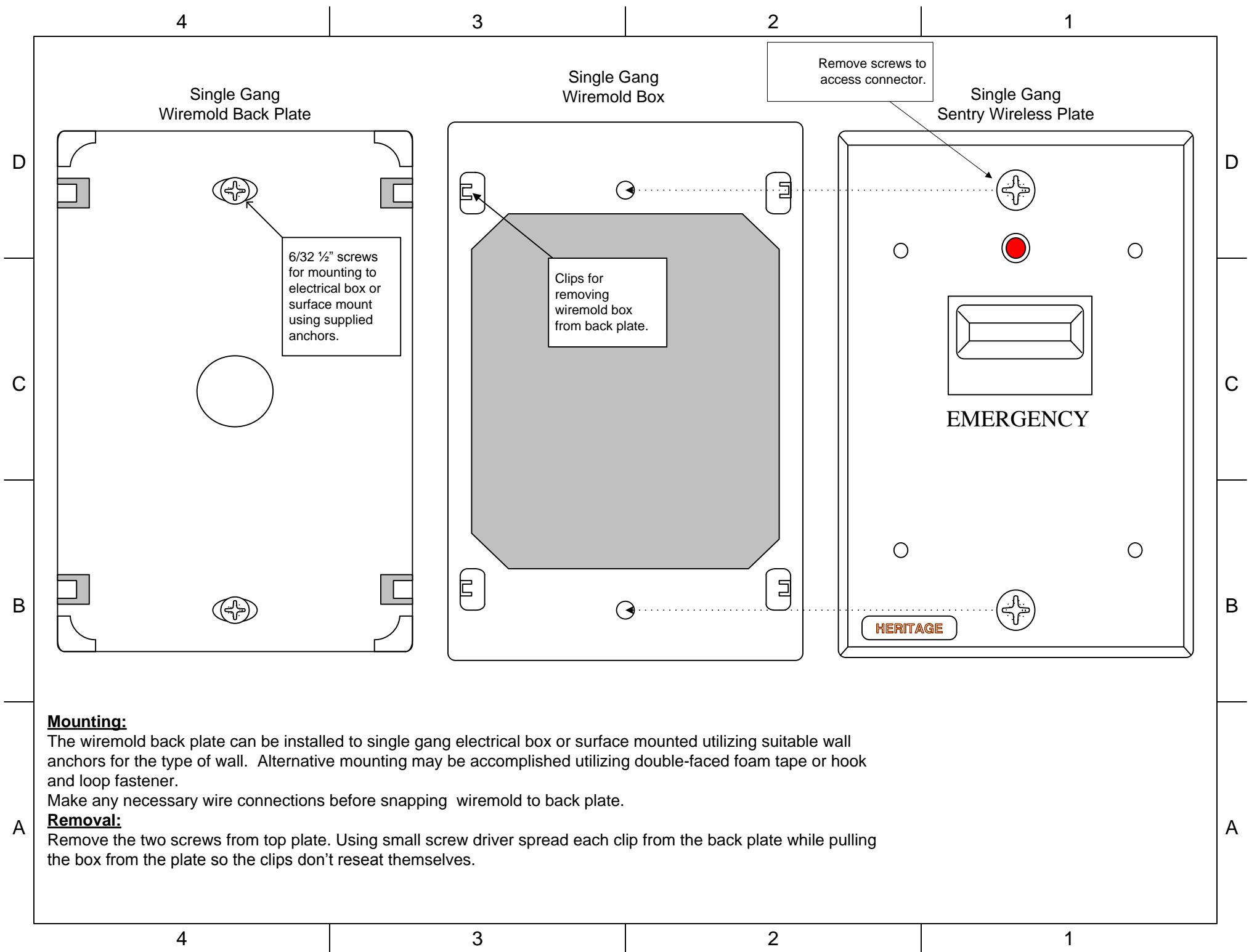
813-221-1000 (ph)  
 813-223-1405 (fax)

www.heritagemedcall.com

**Sentry Freedom Wireless Emergency Call Systems**

HM-W541RCS HM-W541RCL  
 Wireless Pull Cord Transmitter  
 Remote Powered – Normally Closed Circuits

SIZE	Drawn by: JRP	File Name: hm-w541rcx-Insert.vsd	REV
SCALE	NA	Date: 09-30-08	SHEET 1 OF 2



**Mounting:**

The wiremold back plate can be installed to single gang electrical box or surface mounted utilizing suitable wall anchors for the type of wall. Alternative mounting may be accomplished utilizing double-faced foam tape or hook and loop fastener.

Make any necessary wire connections before snapping wiremold to back plate.

**Removal:**

Remove the two screws from top plate. Using small screw driver spread each clip from the back plate while pulling the box from the plate so the clips don't reseat themselves.