

**Installation Notes:**

Insert 3 volt lithium battery noting correct polarity orientation. Log on to the Sentry computer using an administrator username. Choose "Transmitters " option then select "New" then "Enroll". On the backside of the HM-W541BOxA press the reset switch (SW2) for one second. Serial number and type will be automatically filled in. Edit Announcement if required and press "Save". Press "Room" and select location from list and press "Apply" and then "Save". Press "Resident" and select name and "Apply" and "Save". Refer to Sentry Freedom manual for full programming instructions.

**Optional Devices:**

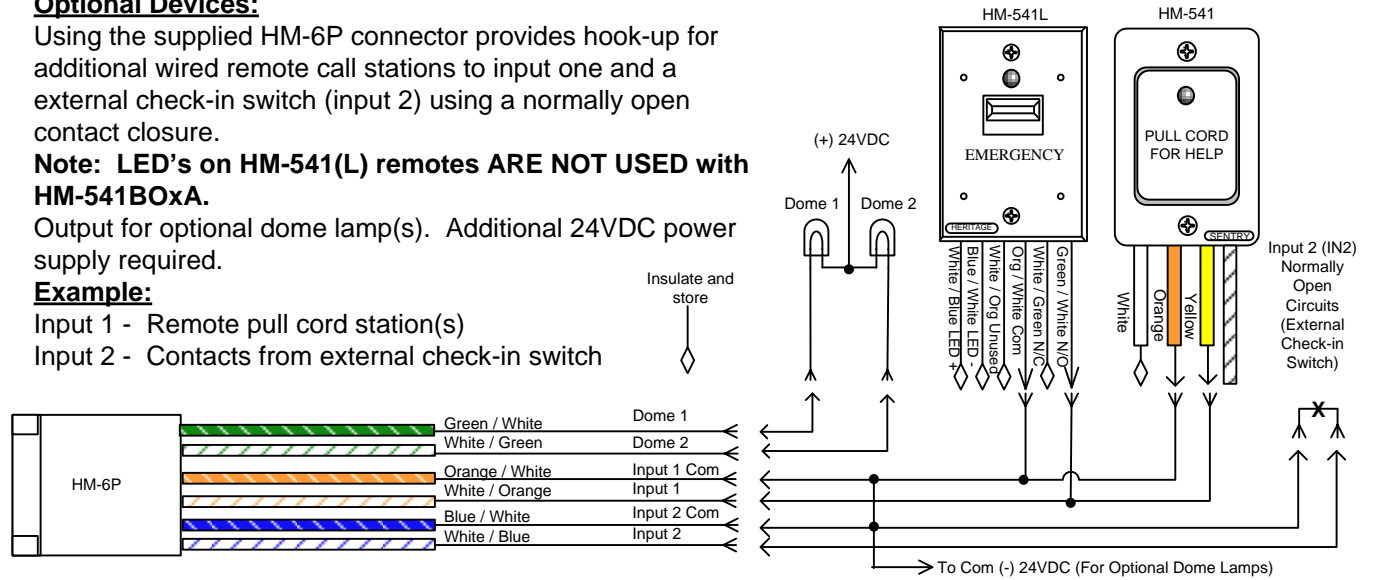
Using the supplied HM-6P connector provides hook-up for additional wired remote call stations to input one and a external check-in switch (input 2) using a normally open contact closure. **Note: LED's on HM-541(L) remotes ARE NOT USED with HM-541BOxA.** Output for optional dome lamp(s). Additional 24VDC power supply required.

**Example:**

Input 1 - Remote pull cord station(s)  
Input 2 - Contacts from external check-in switch

**LED Operation:**

Active: 3 groups of 7 flashes each  
Off: 1 group of 9 flashes each  
Reset: 1 group of 10 flashes each  
Check-in: 1 group of 3 flashes each  
**Note:** Press reset button after changing battery.



**Specifications:**

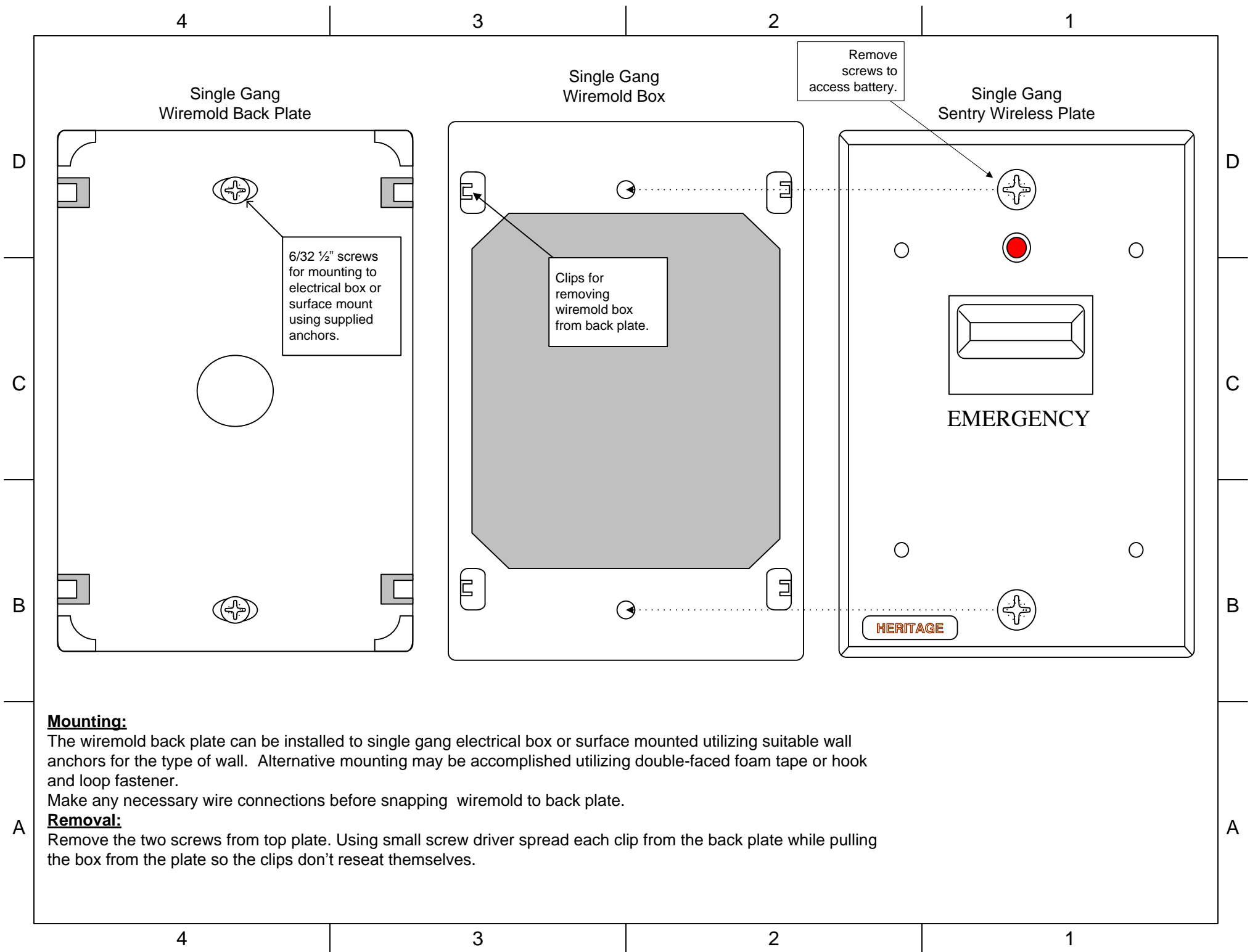
Current Draw: 50 mA during transmit  
Power: 3 Volt Lithium Battery Supplied  
Interconnect cable: 2 pair 24 AWG CAT3  
HM-W541BOS 3 minute check-in  
HM-W541BOL 60 minute check-in



**Sentry Freedom Wireless Emergency Call Systems**

HM-W541BOSA HM-W541BOLA  
Wireless Pull Cord

813-221-1000 (ph) 813-223-1405 (fax)	SIZE	Drawn by: JRP	File Name: hm-w541BOxA-Insert.vsd	REV F
www.heritagemedcall.com	SCALE	NA	Date: 09-10-09	SHEET 1 OF 2



**Mounting:**

The wiremold back plate can be installed to single gang electrical box or surface mounted utilizing suitable wall anchors for the type of wall. Alternative mounting may be accomplished utilizing double-faced foam tape or hook and loop fastener.

Make any necessary wire connections before snapping wiremold to back plate.

**Removal:**

Remove the two screws from top plate. Using small screw driver spread each clip from the back plate while pulling the box from the plate so the clips don't reset themselves.