

4

3

2

1

D

D

C

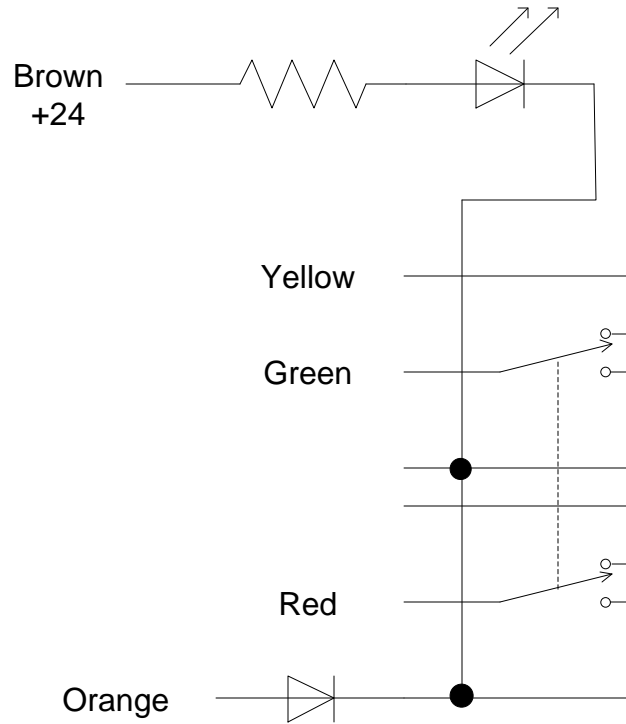
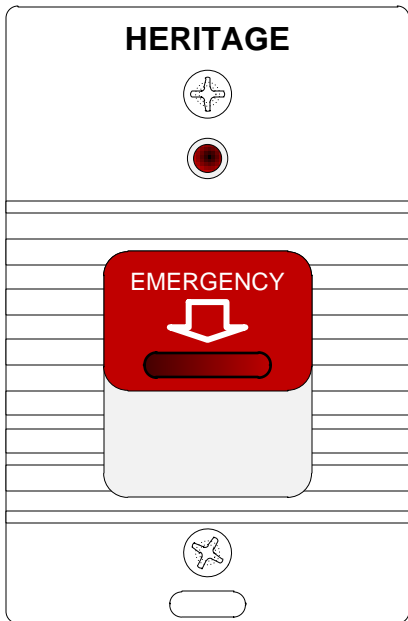
C

B

B

A

A



HERITAGE MEDCALL 202 East Virginia Ave Tampa, Florida 33603	Visual Nurse Call			
	HM-TES Schematic SF155B version			
813-221-1000 (ph) 813-223-1405 (fax)	SIZE	Drawn by: JRP	File Name: hm-tes.vsd	REV A
www.heritagemedcall.com	SCALE	NA	Date: Nov 18, 2011	SHEET 1 OF 1

4

3

2

1