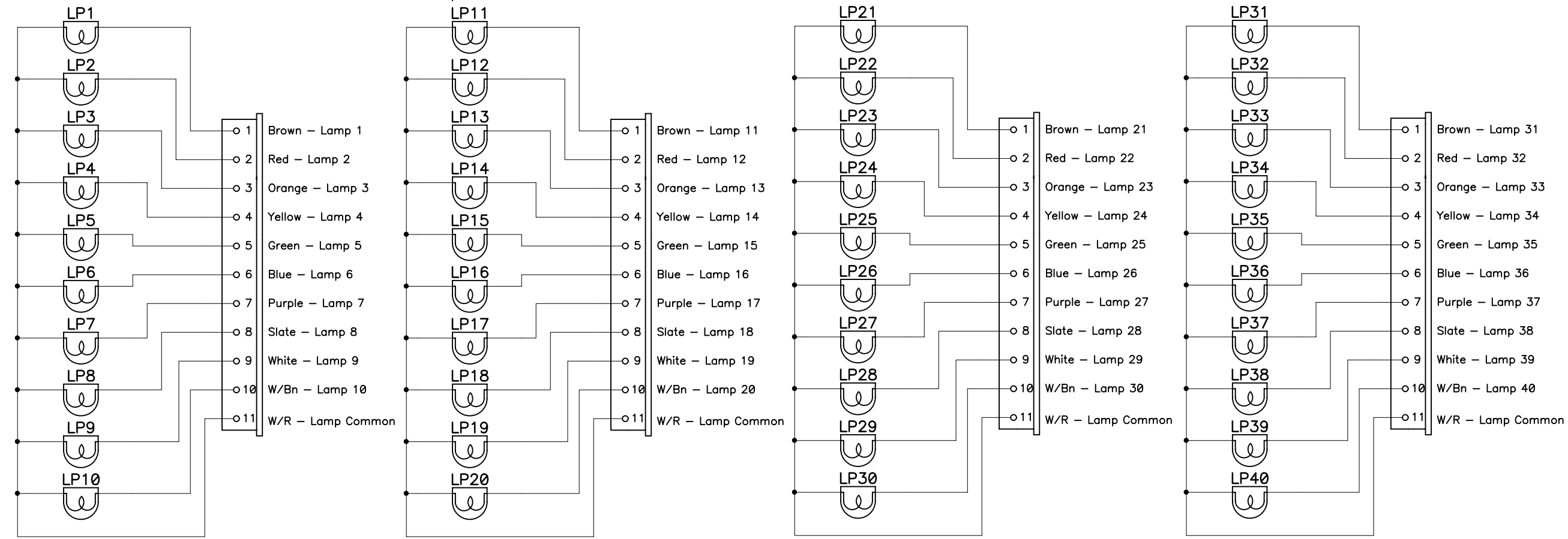
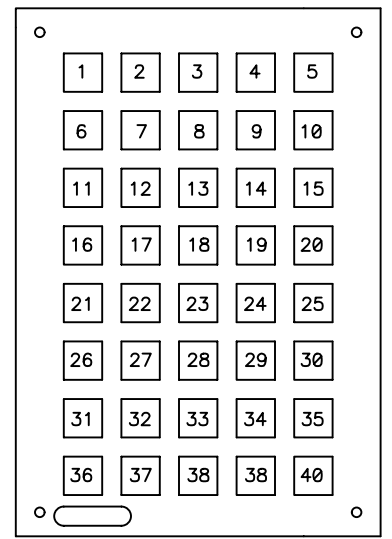


HM-A40 schematic. Lamps are 24 VDC 40 mA. #28ESB
 Use pre-wire connector HM-11P, 4 each.

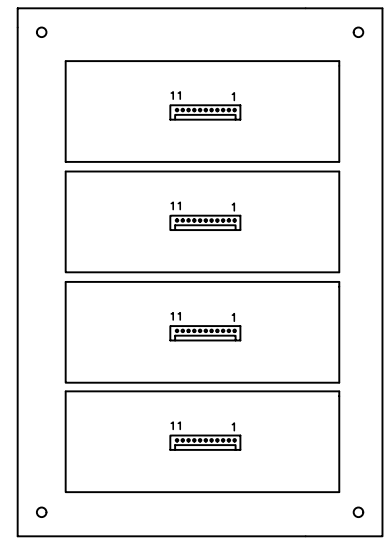


Mount to W2BB Backbox

Unit must be mounted using nylon hardware provided. DO NOT overtighten the nylon screws to avoid stripping the threads.



Front



Back

For detailed installation instructions refer to Heritage MedCall VNS Manual, Issue 2, January 2003

Heritage MedCall, Inc.
 202 East Virginia Avenue
 Tampa, FL 33603
 813-221-1000 (voice)
 813-223-1405 (fax)
 www.heritagemedcall.com

Title HM-A40 40 Lamp Annunciator Panel		
Size B	Number	Rev
Date January 2003	Drawn by	
Filename A40.sch	Sheet of	